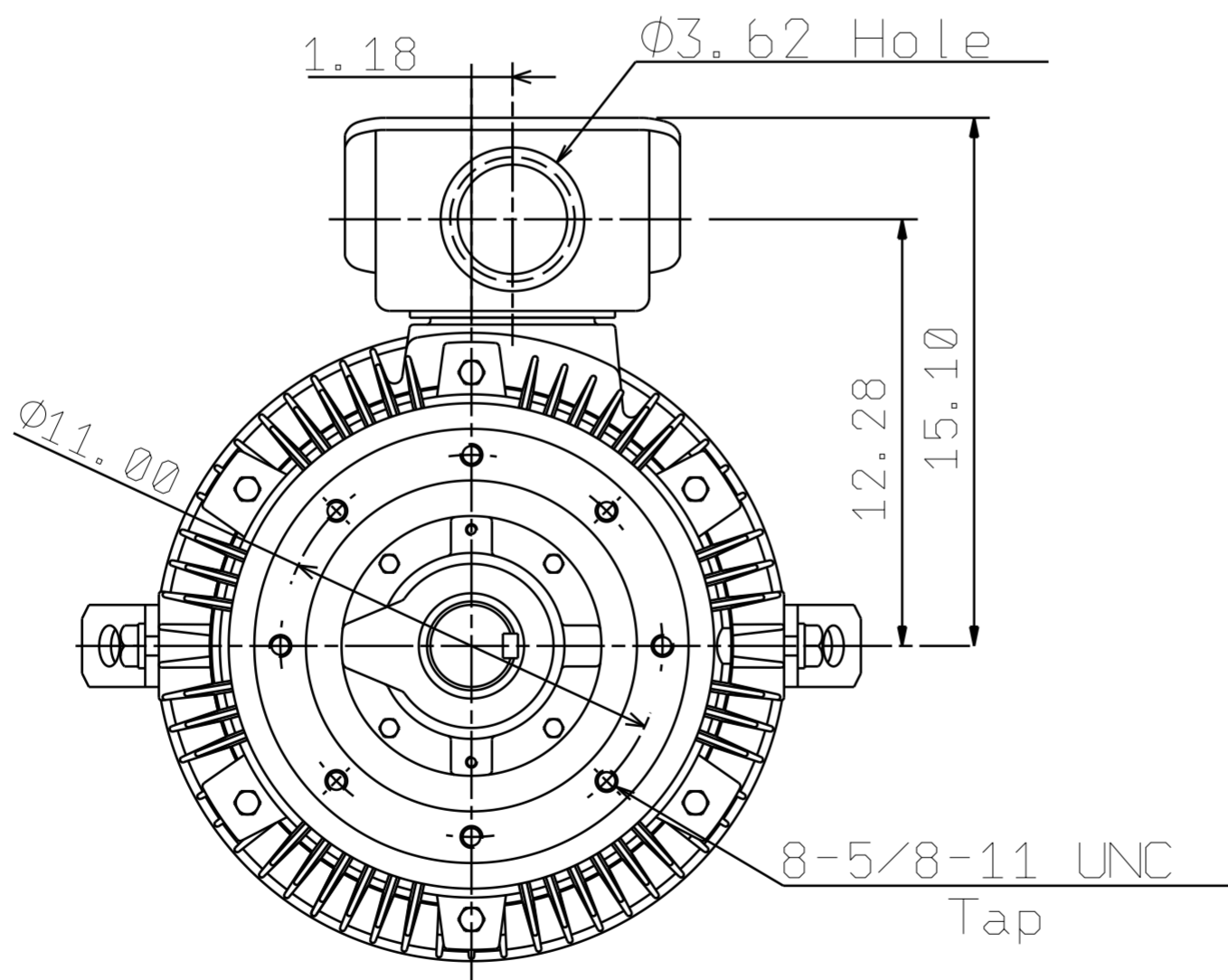
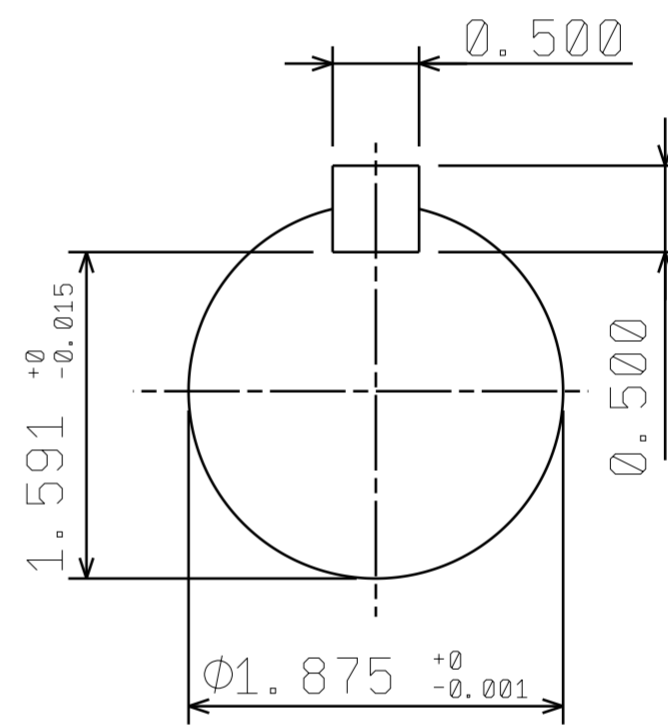
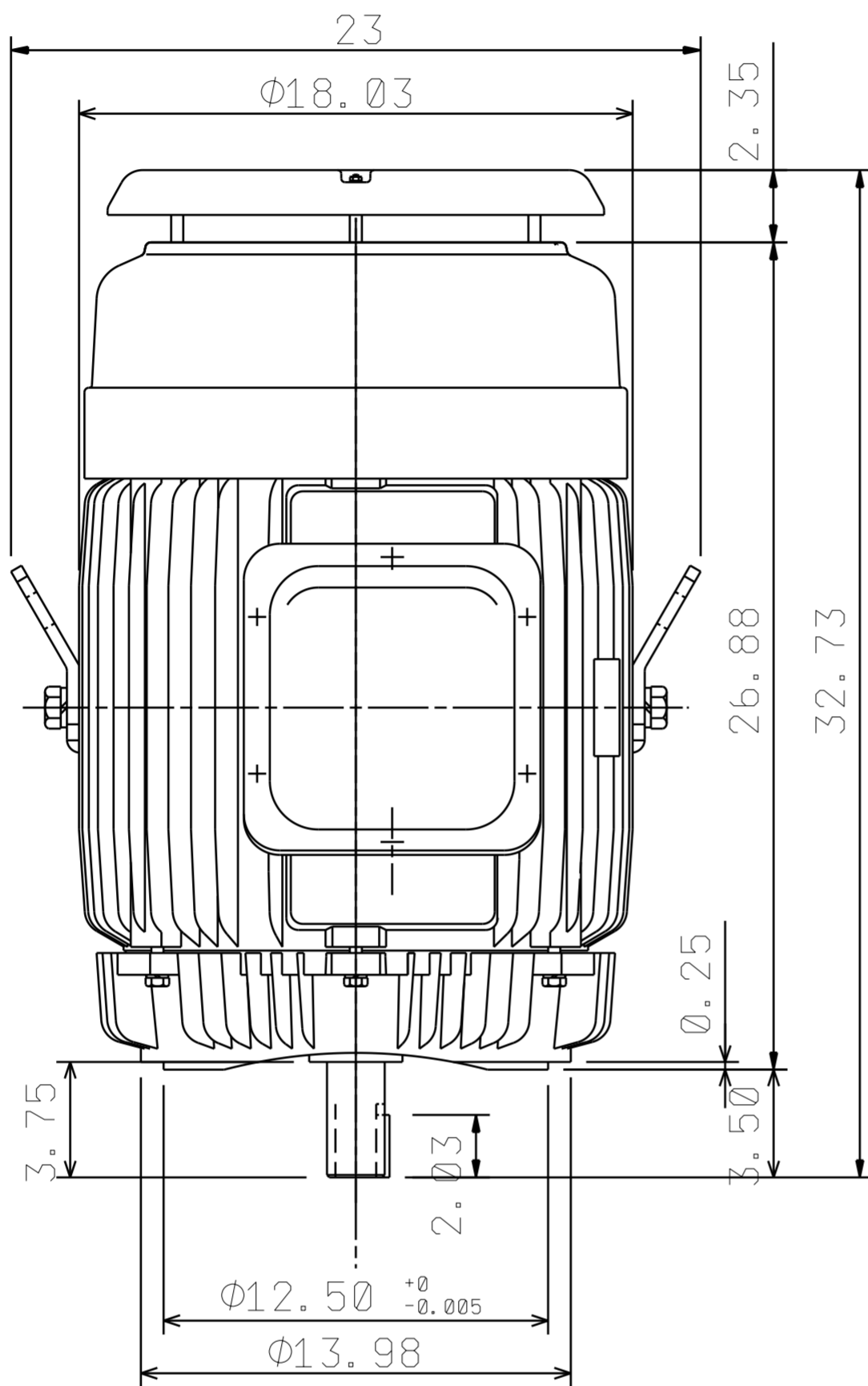




TEC Westinghouse		OUTLINE DIMENSIONS		MOTOR TYPE: AEUH8P-XXX	
DATE .		3-PHASE INDUCTION MOTOR		FRAME NO. 364TSC	

Pole	HP	kW	Hz	VOLT	r/min(rpm)
2	60	44.76	60	230/460	3600
Ins	Rating	Dimension in	Approx Weight	Bearings	
F	CONT.	inches		DE: 6312C3 NDE: 6212C3	

Totally Enclosed Fan-Cooled Type. Squirrel-Cage Rotor.



TA17142-00-01

	.		^ B% i D
--	---	--	----------

DWG.	^ B% \$ 000000	TEC Westinghouse	DWG NO.
CHKD.	^ B% R 0410 17		31057A609140
APPD.	^ B% R 0410 17		